

# Gas Detector Head

Extractive Type with LED Concentration Display

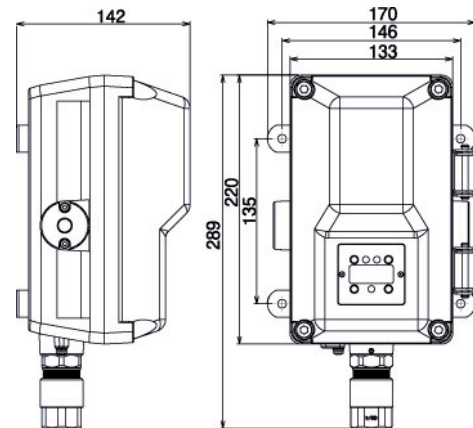
## PD-12



### Features

- Small and lightweight with concentration and alarm display.
- Extractive type with hydrogen explosion proof.
- Detecting decreased flow rate function (option).
- Environmentally friendly product.
- Approvals:
  - ATEX
  - Ex d IIB + H2T4X
  - CE Marking (EMC Directive)

### External Dimensions (mm)



### Specifications

	PD-12A	PD-12B	PD-12C
Model	PD-12A	PD-12B	PD-12C
Detection Principle	Hot wire semiconductor	Catalytic combustion	Thermal conductivity
Target Gas	As per specifications		
Sampling Method	As per specifications		
Suction Flow	Over 0,5L/min		
Detection Range	As per specifications		
Alarm Set Value	As per specifications		
Alarm Accuracy	Combustible gas: $\pm 25\%$ of alarm set value under identical conditions Toxic gas: $\pm 30\%$ of alarm set value under identical conditions		
Alarm Delay	Combustible gas: Within 30 seconds with 1.6 times of alarm set concentration Toxic gas: Within 60 seconds with 1.6 times of alarm set concentration		
Warning Display	Gas alarm: Red LED lamp flashes Trouble alarm: Yellow LED lamp flashes (sensor disconnection, sensor zero drop, power supply voltage error, etc.)		
Display	Four-digit digital LED display		
Operation	At 4 points of magnetic switches		
Approvals	EX d IIB + H2 T4X		
Degree of Protection	IP65		
Applicable Cable	Cable outer diameter: 10,5 to 14,5mm 6-conductor shielded cable: CVV-S 1.25mm <sup>2</sup> or 2.0mm <sup>2</sup>		
Operating Temperature and Humidity	Temperature: -10 to 50°C Humidity: 10 to 90%RH (0 to 50°C) No radical temperature or humidity changes and no condensation		
Power Supply	24V DC (18 to 30V DC)		
Power Consumption	7.5W max.		
Dimensions	133 (W) x 260 (H) x 132 (D) mm (excluding protrusion)		
Weight	Approx. 5.2kg		